



The ProLite T2452MTS is a 24" MultiTouch screen. Based on the latest Optical Touch Screen Technology, the T2452MTS is Windows® 7 Compatible and ready for the emerging business and consumer software packages. The monitor lets you browse the web, email and draw while working on multiple screens, docking or typing on the on-screen keyboard. You can scroll and rotate pictures, draw, zoom in and out using certain tap, flick, grab and pincer gestures. The multi-touch is not only fast but also fun to work with. The panel features High Definition 1920 x 1080 resolution with a 2msec response time. HDMI, DVI and Analogue inputs are available for flexible connectivity along with USB for the Touch Interface. The multi touch function is supported only under Windows® 7. Glossy design with a foldable stand creates an eye-catching finish and the X-Res Technology feature helps to deliver best quality pictures even if the source is not perfect, like movies made with mobile device.



### TOUCH TECHNOLOGY - OPTICAL

This technology uses cameras. A touch event is registered with great accuracy when light is blocked by a finger or stylus. It's the only touch technology that does not rely on an overlay or substrate to register a touch, so it's impossible to physically "wear out" the touchscreen. In fact you don't really have to physically touch the screen.



### SPEAKERS AND HEADPHONES

Playing with friends? Use the integrated high quality speakers. Don't want to disturb anybody? Plug your headset to the headphone socket and turn the volume up.

## 1. DISPLAY CHARACTERISTICS

DIAGONAL	23.6"; 60cm
TOUCHTECHNOLOGY	optical, multitouch (2 compatible touch points - HID, supported only under Windows® 7), activated by finger or stylus
PANEL	TN LED-backlit
GLASS HARDNESS	7H minimum
DISPLAY AREA H X W	293.2 x 521.3 mm; 11.54" x 20.51"
RESPONSE TIME	2 ms
CONTRAST	1000 : 1 typical
CONTRAST	5 000 000 : 1 ACR
BRIGHTNESS	300 cd/m <sup>2</sup> typical
VIEWING ZONE	horizontal/vertical: 170° / 160°; right/left: 85° / 85°; up/down: 80° / 80°
DISPLAY COLOUR	16.7 million
PIXEL PITCH H X V	0.272 x 0.272 mm
NATIVE RESOLUTION	Full HD 1080p, 1920 x 1080 ( 2.1 megapixel)
HORIZONTAL SYNC	24 - 82 KHz
VERTICAL SYNC	55 - 76 Hz
SYNCHRONIZATION	Separate Sync
ASPECT RATIO	16 : 9
LIGHT TRANSMITTANCE	88%

## 2. INTERFACES & CONNECTORS

ANALOG INPUT CONNECTOR	VGA
DIGITAL INPUT CONNECTOR	DVI-D, HDMI (x2)
HDCP	yes
HEADPHONE CONNECTOR	Yes
OUTPUT CONNECTOR	headphone connector
INPUTS	USB (for touch connectivity)

## 3. SPECIAL FEATURES

PLUG & PLAY	VESA DDC2B™
CONTROLS	On-Screen-Display in 8 languages (EN, FR, DE, NL, PL, RU, JP, Chinese (traditional and simplified)) and 5 front controls (Power, Select/ Input Select, Scroll up/ X-res Technology, Scroll down/ i-Style Colour, Menu)
USER CONTROLS	auto adjust, picture adjust (contrast, brightness, ACR, ECO, OD, X-Res Technology), input select, audio adjust (volume, mute, HDMI audio), colour adjust, information, manual image adjust (clock, H/V position, phase, sharpness, video mode adjust), setup menu (language, OSD position, OSD time out, OSD background, opening logo, LED), memory recall
SPEAKERS	2 x 2 W (Stereo)
ANTI-THEFT-DEVICE	Kensington-lock™ prepared

SAFETY	CE, TÜV/Bauart, VCCI-B, CU, PSE
TILT ANGLE	37° up; 5° down
VESA MOUNTING	100 x 100 mm
COLOUR	Black

## 4. ACCESSORIES

DRIVER	single-touch: XP, Vista, multi-touch: Windows®7 (HID)
INCLUDED ACCESSORIES	power cable, VGA (D-Sub) cable, DVI-D cable, audio cable, USB cable, touch pen, quick start guide, safety guide

## 5. POWER MANAGEMENT

POWER SUPPLY	AC 100 - 240 V, 50 / 60 Hz
POWER SUPPLY UNIT	internal
POWER USAGE	24 W typical; max. 0.5 W in Power management mode
POWER MANAGEMENT	VESA DPMS, ENERGY STAR®

## 6. EU ENERGY EFFICIENCY LABEL

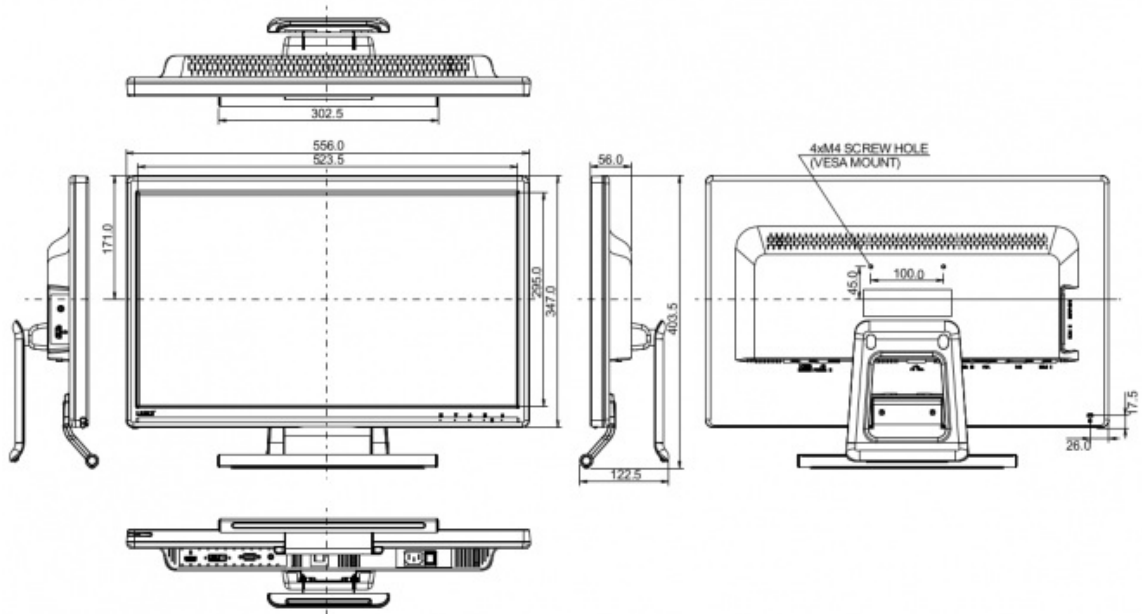
ENERGY EFFICIENCY CLASS	A
ON MODE POWER CONSUMPTION	24.2W
ANNUAL ENERGY CONSUMPTION	35 kW/annum*
VISIBLE SCREEN DIAGONAL	60 cm; 23.6"; ( 24" segment )

*This is information under Regulation (EU) No 1062/2010.*

*\*Based on the power consumption of the television operating 4 hours per day for 365 days. The actual energy consumption will depend on how the television is used.*

## 7. DIMENSIONS & WEIGHT

DIMENSIONS W X H X D	556 x 403.5 x 122.5 mm
WEIGHT	5.6 kg



All trademarks acknowledged. Errors and changes reserved. Product specifications are subject to change without notice. All LCD's comply with ISO-13406-2 which specifies the number and type of pixel defects.

© IIYAMA CORPORATION ( ). ALL RIGHTS RESERVED.